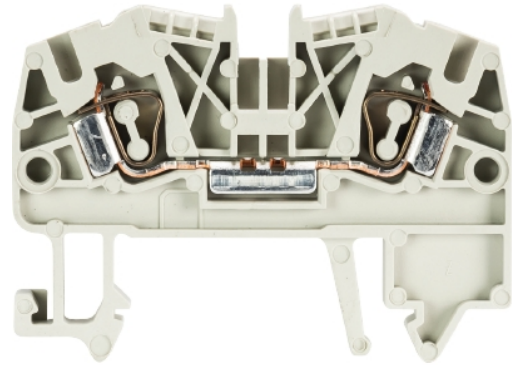


Data sheet

Commercial Art.No.: 56.703.0053.0

feed-through terminal WKF 2,5 / 35

Feed-through terminal with tension spring connection for mounting on TS35, nominal cross section: 2.5 mm², width: 5 mm, color: grey



| | |
|--------------------|---------------|
| Commercial Art.No. | 56.703.0053.0 |
| EAN | 4015573346673 |
| Order Unit | 100 |

certificates / approvals



CAN-Ex



ATEX



Technical data

general

| | |
|--|-----------------------------------|
| nominal cross section | 2.5 mm ² |
| color | grey |
| number of levels | 1 |
| number of clamp positions per level | 2 |
| width/grid dimension | 5 mm |
| insulating housing | PA666 |
| flammability class of insulation material acc. with UL94 | V0 |
| explosion-tested version "Ex e" | yes |
| mounting method | DIN rail (top hat rail) 35/7.5 mm |
| terminal blocks for electrical installations | yes |
| Anzahl der Klemmstellen je Etage | 2 |
| Montageart | DIN rail (top hat rail) 35/7.5 mm |
| Brennbarkeitsklasse des Isolierstoffs | V0 |
| Reihenklammern für Installationsverteiler | yes |

technical data

| | |
|-----------------------------|---------------|
| rated current | 24 A |
| rated voltage | 800 V |
| rated impulse voltage | 8 kV |
| pollution degree | 3 |
| closing plate required | yes |
| type of insulation material | thermoplastic |

| | |
|--------|-------|
| length | 57 mm |
|--------|-------|

connection data

| | |
|-------------------------------------|-------------------------|
| connection type 1 | spring clamp connection |
| connection type 2 | spring clamp connection |
| minimum cross section solid | 0.13 mm ² |
| maximum cross section solid | 4 mm ² |
| minimum cross section fine stranded | 0.13 mm ² |
| maximum cross section fine stranded | 2.5 mm ² |
| wire strip length | 11 mm |

technical data UL/CSA

| | |
|------------------------|-----------|
| cross section UL | 22-12 AWG |
| voltage UL | 600 V |
| current factory wiring | 30 A |
| current field wiring | 20 A |
| cross section CSA | 24-12 AWG |
| voltage CSA | 600 V |
| current CSA | 25 A |

classification

| | |
|------------|----------|
| ECLASS 11 | |
| ECLASS 8.1 | 27141120 |
| ETIM 9.0 | EC000897 |
| ETIM 8.0 | EC000897 |
| ETIM 7.0 | EC000897 |
| ETIM 6.0 | EC000897 |
| ETIM 5.0 | EC000897 |
| ETIM 4.0 | EC000897 |
| ETIM 3.0 | EC000897 |

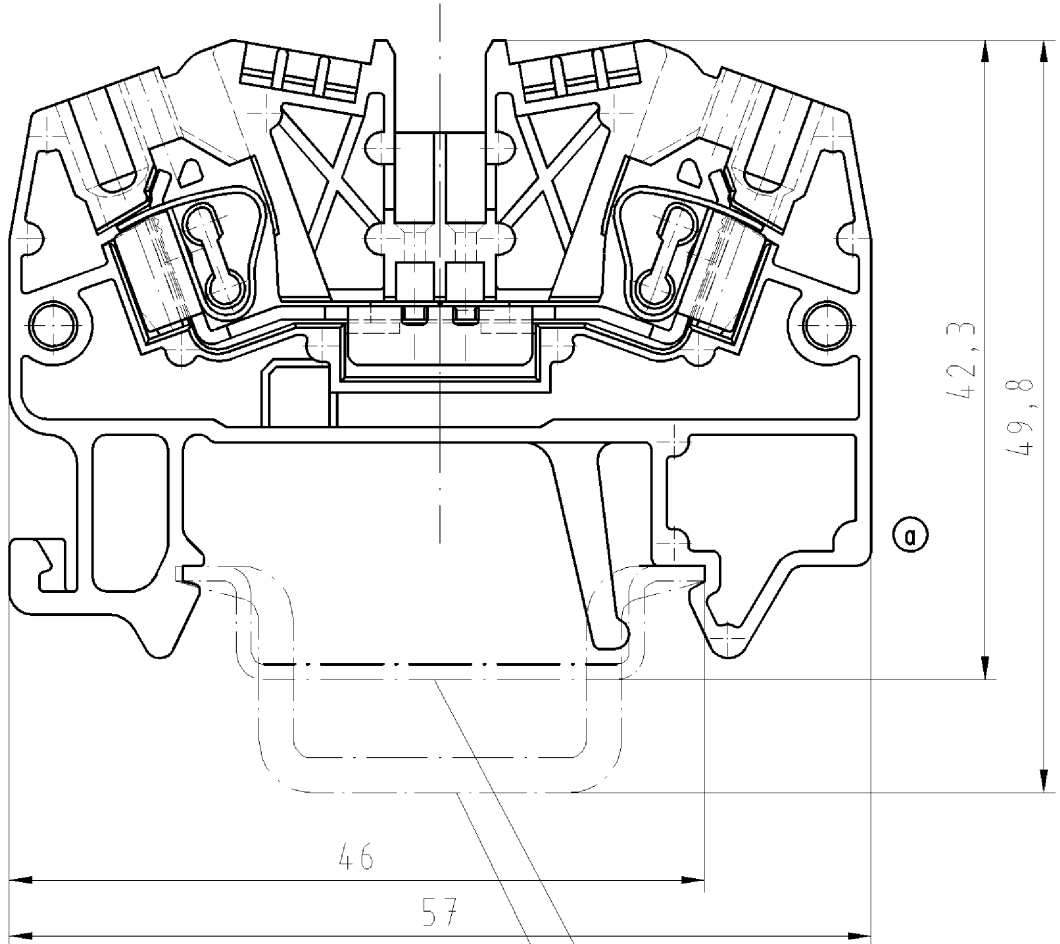
product compliance

| | |
|------------------------------|-----------|
| ROHS conformity status | compliant |
| REACH-SVHC conformity status | compliant |

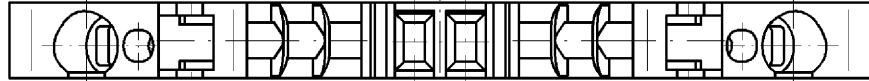
Accessories

| Commercial Art.No.: | Article-type description: | Description: |
|---------------------|---------------------------|---|
| Z7.280.6227.0 | jumper bar IVBWK 2,5- 2 | Cross connector, insulated for DIN rail terminal blocks type WKF..., 2 - pole |
| Z7.280.6327.0 | jumper bar IVBWK 2,5- 3 | Cross connector, insulated for DIN rail terminal blocks type WKF..., 3 - pole |
| Z7.280.6427.0 | jumper bar IVBWK 2,5- 4 | Cross connector, insulated for DIN rail terminal blocks type WKF..., 4 - pole |
| Z7.280.6527.0 | jumper bar IVBWK 2,5- 5 | Cross connector, insulated for DIN rail terminal blocks type WKF..., 5 - pole |
| Z7.280.6627.0 | jumper bar IVBWK 2,5- 6 | Cross connector, insulated for DIN rail terminal blocks type WKF..., 6 - pole |
| Z7.280.6727.0 | jumper bar IVBWK 2,5- 7 | Cross connector, insulated for DIN rail terminal blocks type WKF..., 7 - pole |

| | | |
|---------------|---|---|
| Z7.280.6827.0 | jumper bar IVBWK 2,5- 8 | Cross connector, insulated for DIN rail terminal blocks type WKF..., 8 - pole |
| Z7.280.6927.0 | jumper bar IVBWK 2,5- 9 | Cross connector, insulated for DIN rail terminal blocks type WKF..., 9 - pole |
| Z7.280.7027.0 | jumper bar IVBWK 2,5- 10 | Cross connector, insulated for DIN rail terminal blocks type WKF..., 10 - pole |
| 07.312.2153.0 | end plate APF 2,5 - 4 | End plate for DIN rail terminal blocks type WKF 2,5... und WKF 4..., color: grey |
| 07.312.2253.0 | partition TWF 2,5 - 4 | Partition for DIN rail terminal blocks type WKF 2,5 and WKF 4, color: grey |
| Z7.280.7127.0 | jumper bar IVBWK 2,5- 11 | Cross connector, insulated for DIN rail terminal blocks type WKF..., 11 - pole |
| Z7.280.7227.0 | jumper bar IVBWK 2,5- 12 | Cross connector, insulated for DIN rail terminal blocks type WKF..., 12 - pole |
| Z7.280.8027.0 | jumper bar IVBWK 2,5- 20 | Cross connector, insulated for DIN rail terminal blocks type WKF..., 20 - pole |
| 04.242.5053.0 | marking tag strips 9705 A / 5 / 10 | Marking tag strips for DIN rail terminal blocks type 9700 A / 5..., 10 tags per strip, color: white, unmarked, markable with Wieplot plotter-system |
| 98.300.1000.0 | mounting rail TS 35x7,5 PERF 15mm - l:2000mm | Mounting rail TS 35, slotted, size 7,5 mm, length 2 m, material steel. galv. zinc-plated and passivated |
| 98.300.0000.0 | mounting rail TS 35x7,5 UNPERF - l:2000mm | Mounting rail TS 35, unslotted, size 7,5 mm, length 2 m, material steel. galv. zinc-plated and passivated |
| 98.300.1800.0 | mounting rail TS 35x7,5 PERF 18mm - l:2000mm | Mounting rail TS 35, slotted, size 7,5 mm, length 2 m, material steel. galv. zinc-plated and passivated |
| 98.300.1900.0 | mounting rail TS 35x7,5 PERF 25mm - l:2000mm | Mounting rail TS 35, slotted, size 7,5 mm, length 2 m, material steel. galv. zinc-plated and passivated |
| 98.360.0000.0 | mounting rail TS 35x15-2,3 UNPERF - l:2000mm | Mounting rail TS 35, unslotted, size 15 mm, length 2 m, material steel. galv. zinc-plated and passivated |
| 98.370.0000.0 | mounting rail TS 35x15 UNPERF - l:2000mm | Mounting rail TS 35, unslotted, size 15 mm, length 2 m, material steel. galv. zinc-plated and dichromated |
| 98.370.1000.0 | mounting rail TS 35x15 PERF 15mm - l:2000mm | Mounting rail TS 35, slotted, size 15 mm, length 2 m, material steel. galv. zinc-plated and passivated |
| 98.380.0000.0 | mounting rail TS 35x15-2,3 UNPERF CU - l:2000mm | Mounting rail TS 35, unslotted, size 15 mm, length 2 m, material E copper |



Hutschiene EN 60715-35x7,5
mounting rail EN 60715-35x7,5
Hutschiene EN 60715-35x15
mounting rail EN 60715-35x15



○ Diese Maße werden bei Abnahme besonders geprüft
□ Ausschließlich Prüfmaße
Mit Z/E gekennzeichnete Maße sind nur für interne Zwecke gültig

Weitere Daten siehe Katalog
further data see catalog

| Teile-Nr. part-nr. | Farbe colour | Type type |
|-----------------------|-----------------|------------------------------------|
| 56.703.0053.0 | grau grey | WKF 2,5/35 |
| 56.703.0053.6 | blau blue | WKF 2,5/35 BLAU WKF 2,5/35 blue |

| | | | | | | | | |
|-----------------------|---------------|--|--|--------|------------------|---------------|---|-------|
| Freitoleranz nach DIN | | CAD - Zeichnung, keine manuellen Änderungen | | | 1. Verwendung: - | | Bl.: 1 von 1 | |
| | / | Maßstab 2:1 | 2002 | Tag | Name | T | Zeichnung Nr. 56.703.0053.0 01K a | Index |
| | / | | Entworfen | 25.09. | Schneiderb. | | | |
| | / | | Geprüft | - | - | | | |
| | / | | Normgepr. | - | - | Ersatz für: - | | |
| a | 28.06.2004/ | wieland Elektrische Verbindungen | Benennung DURCHGANGSKLEMME terminal | | | | | |
| Buchstabe | Datum / Blatt | | | | | | | |
| Änderung | | | | | | | | |

Weitergabe sowie Vervielfältigung dieses Dokuments, Verwertung und Mitteilung seines Inhalts sind verboten, soweit nicht ausdrücklich gestattet. The reproduction, distribution and utilization of this document as well as the communication of its contents to others without express authorization is prohibited.